



# ***PSS III Split Seal***

The next generation of split seal technology



***Experience In Motion***

*The next generation of split seal technology combining ease of installation and improved process containment. The PSS III is ideal for installations striving to increase production capacity through reduced equipment down time.*



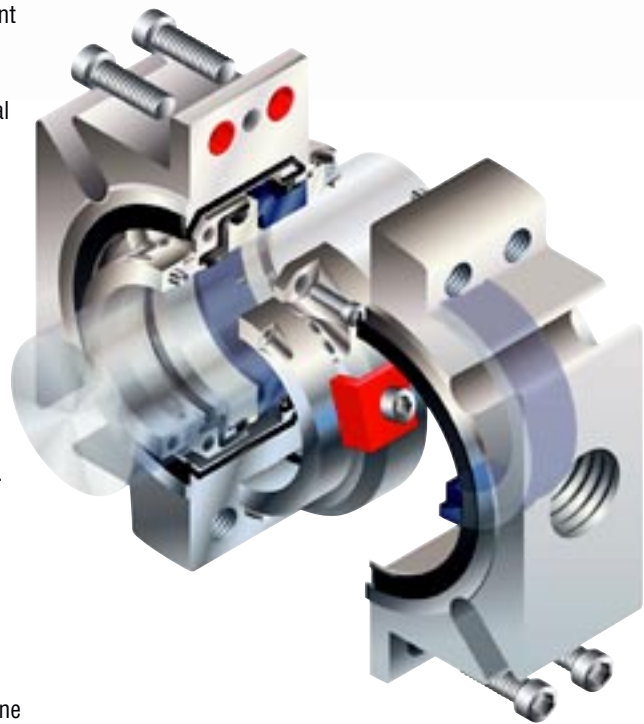
## **Easy installation and versatile design**

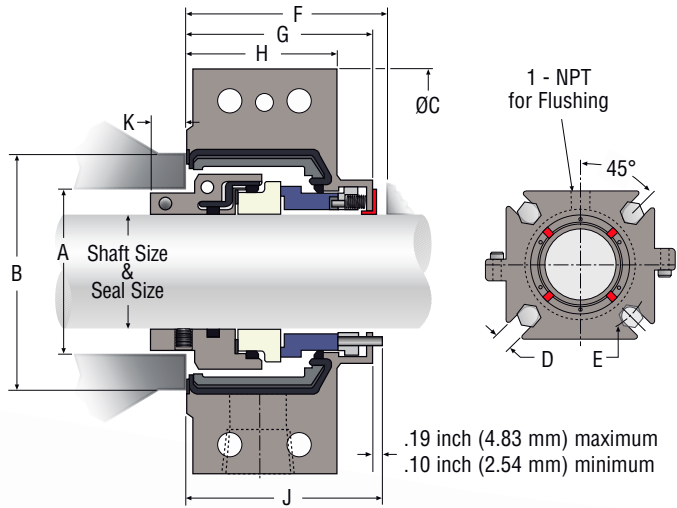
With only two major components, the PSS III split seal simplifies installation without requiring equipment tear down. Semi-cartridge rotating and stationary assemblies eliminate equipment measurements and handling of small intricate components, including seal faces and gaskets.

Innovative design with enhanced pressure capability makes the PSS III ideal for paper mills, waste water treatment facilities, soda ash processing and light chemical plants.

### **The PSS III advantage**

- No need to completely dismantle the pump and primary driver for seal installation. The PSS III installs around the shaft, outside the seal chamber.
- Easy installation with minimal effort due to the unitized component, semi-cartridge design.
- Product leakage across the faces is minimized by maintaining rotor and stator face squareness with a robust, extended rotor assembly.
- Installation tools are included with the seal. Only one wrench for the gland bolts is required by the installing personnel.
- Installation errors are reduced through the use of integral setting tabs on the seal components. No need to measure and mark at the point of installation.
- The PSS III can handle mixer equipment run outs up to .060 inch (1.5 mm) TIR radial shaft movement, accommodating demanding mixer characteristics.
- Higher pressures or lubricating medium is no problem. The positive drive rotor is held firmly in place by more set screws.
- The optimized PSS III face loading maintains face to face seal contact even during fluctuating pressure conditions that otherwise could cause leakage.
- High viscosity media can be a challenge to friction driven faces. The PSS III has direct drive pins in the faces for positive sealing integrity.
- Springs and pins are not affected by media clogging or corrosion which can cause premature seal failure because this hardware is outside the media environment.
- Standardized NPT ports make flush line installation easier with standard fittings and wrenches.
- Open clearances around the seal means wash down cleaning is quicker and easier for equipment in dirty and dusty conditions.





**Materials of Construction**

- Stator Face:** Carbon, Silicon Carbide
- Rotor Face:** Silicon Carbide, Aluminum Oxide
- Metal Parts:** 316 Stainless Steel
- Springs:** Alloy C-276
- Secondary Seals:** FKM, EPDM

**Standard Operating Limits**

- Pressure:** Full vacuum to 450 psi (30 bar)
- Temperature:** 0 to 250°F (-18 to 121°C)
- Speed:** 41.7 ft/s (12.7 m/s)
- Sizes:** 1.500 - 6.000 inch (38 mm - 152 mm)

**PSS III Dimensional Data in inches**

Shaft & Seal Size +0.001" -0.002"	A	B	C	D	E		F	G	H	J	K
		Min.	Min.	Max. Bolt Size	Min. Bolt Slot Circle	Max.	Min.			Max.	
1.500	2.12 to 2.50	2.75	5.25	0.500	3.50	4.33	2.50	2.12	1.71	2.31	0.33
1.625	2.25 to 2.62	2.88	5.50	0.500	3.62	4.75	2.50	2.12	1.71	2.31	0.33
1.750	2.38 to 2.75	3.00	5.41	0.500	3.75	4.36	2.50	2.12	1.71	2.31	0.33
1.875	2.50 to 2.88	3.12	5.53	0.500	3.88	4.67	2.50	2.12	1.71	2.31	0.33
2.000	2.62 to 3.00	3.25	5.75	0.500	4.03	5.06	2.50	2.12	1.71	2.31	0.33
2.125	2.75 to 3.25	3.50	5.69	0.625	4.44	5.38	2.72	2.34	1.84	2.53	0.39
2.250	2.88 to 3.38	3.62	5.81	0.625	4.56	5.64	2.72	2.34	1.84	2.53	0.39
2.375	3.00 to 3.50	3.75	5.94	0.625	4.69	5.06	2.72	2.34	1.84	2.53	0.39
2.500	3.12 to 3.75	3.88	6.88	0.625	5.00	6.20	2.72	2.34	1.84	2.53	0.39
2.625	3.25 to 3.75	4.00	6.19	0.625	4.94	6.00	2.72	2.34	1.84	2.53	0.39
2.750	3.38 to 3.88	4.12	6.75	0.625	5.06	6.17	2.72	2.34	1.84	2.53	0.39
2.875	3.50 to 4.00	4.25	6.44	0.625	5.19	5.94	2.72	2.34	1.84	2.53	0.39
3.000	3.62 to 4.12	4.38	7.62	0.750	5.56	6.63	2.72	2.34	1.84	2.53	0.39
3.125	3.75 to 4.25	4.50	7.06	0.750	5.56	6.44	2.72	2.34	1.84	2.53	0.39
3.250	3.88 to 4.38	4.62	7.19	0.750	5.69	6.63	2.72	2.34	1.84	2.53	0.39
3.375	4.00 to 4.50	4.75	7.31	0.750	5.81	6.69	2.72	2.34	1.84	2.53	0.39
3.500	4.25 to 5.00	5.25	8.50	0.750	6.38	7.45	3.06	2.69	2.19	2.88	0.51
3.625	4.38 to 5.13	5.38	8.00	0.750	6.50	7.37	3.06	2.69	2.19	2.88	0.51
3.750	4.50 to 5.25	5.50	8.75	0.750	6.63	7.83	3.06	2.69	2.19	2.88	0.51
3.875	4.63 to 5.38	5.63	8.25	0.750	6.75	7.63	3.06	2.69	2.19	2.88	0.51
4.000	4.75 to 5.50	5.75	9.00	0.875	7.00	7.92	3.06	2.69	2.19	2.88	0.51
4.125	4.88 to 5.63	5.88	8.88	0.875	7.13	8.13	3.06	2.69	2.19	2.88	0.53
4.250	5.00 to 5.75	6.00	9.00	0.875	7.25	8.25	3.06	2.69	2.19	2.88	0.57
4.375	5.13 to 5.88	6.13	9.13	0.875	7.38	8.38	3.06	2.69	2.19	2.88	0.60
4.500	5.25 to 6.00	6.25	9.25	0.875	7.50	8.50	3.06	2.69	2.19	2.88	0.64
4.625	5.38 to 6.13	6.38	9.38	0.875	7.63	8.63	3.06	2.69	2.19	2.88	0.68
4.750	5.50 to 6.25	6.50	9.26	0.875	7.75	8.51	3.06	2.69	2.19	2.88	0.72
4.875	5.63 to 6.38	6.63	9.63	0.875	7.88	8.88	3.06	2.69	2.19	2.88	0.75
5.000	5.75 to 7.00	7.25	10.65	0.875	8.50	10.00	3.06	2.69	2.19	2.88	0.79
5.125	5.88 to 7.13	7.38	10.38	0.875	8.63	9.63	3.06	2.69	2.19	2.88	0.83
5.250	6.00 to 7.25	7.50	10.50	0.875	8.75	9.75	3.06	2.69	2.19	2.88	0.87
5.375	6.13 to 7.38	7.63	10.63	0.875	8.88	9.88	3.06	2.69	2.19	2.88	0.90
5.500	6.25 to 7.50	7.75	11.50	0.875	9.00	10.75	3.06	2.69	2.19	2.88	0.94
5.625	6.38 to 7.63	7.88	10.88	0.875	9.13	10.13	3.06	2.69	2.19	2.88	0.98
5.750	6.50 to 7.75	8.00	11.00	0.875	9.25	10.25	3.06	2.69	2.19	2.88	1.02
5.875	6.63 to 7.88	8.13	11.13	0.875	9.38	10.38	3.06	2.69	2.19	2.88	1.05
6.000	6.75 to 8.00	8.25	11.25	0.875	9.50	11.25	3.06	2.69	2.19	2.88	1.09

Other sizes available on request. Contact Flowsolve Engineering.



### ***SEB (Solids Excluder Bushing)***

The SEB reduces the amount of flush required and clears solids from the stuffing box. This provides a cleaner operating environment that helps reduce operating costs and improves the Mean Time Between Planned Maintenance (MTBPM). For more information on the SEB, see FSD211.



### ***Split Flow Reducer***

An engineered, close clearance device that lowers seal water flush (API Plan 32) requirements when used with a Flowserve seal. Split axially for easy installation and constructed of glass filled PTFE for corrosion and abrasion resistance.



#### **USA and Canada**

Kalamazoo, Michigan USA  
Telephone: 1 269 381 2650  
Telefax: 1 269 382 8726

#### **Europe, Middle East, Africa**

Roosendaal, The Netherlands  
Telephone: 31 165 581400  
Telefax: 31 165 552622

#### **Asia Pacific**

Singapore  
Telephone: 65 6544 6800  
Telefax: 65 6214 0541

#### **Latin America**

Mexico City  
Telephone: 52 55 5567 7170  
Telefax: 52 55 5567 4224

FSD217eng REV 03-07 Printed in USA

***To find your local Flowserve representative***  
and find out more about Flowserve Corporation,  
visit [www.flowserve.com](http://www.flowserve.com)

Flowserve Corporation has established industry leadership in the design and manufacture of its products. When properly selected, this Flowserve product is designed to perform its intended function safely during its useful life. However, the purchaser or user of Flowserve products should be aware that Flowserve products might be used in numerous applications under a wide variety of industrial service conditions. Although Flowserve can provide general guidelines, it cannot provide specific data and warnings for all possible applications. The purchaser/user must therefore assume the ultimate responsibility for the proper sizing and selection, installation, operation, and maintenance of Flowserve products. The purchaser/user should read and understand the Installation Instructions included with the product, and train its employees and contractors in the safe use of Flowserve products in connection with the specific application.

While the information and specifications contained in this literature are believed to be accurate, they are supplied for informative purposes only and should not be considered certified or as a guarantee of satisfactory results by reliance thereon. Nothing contained herein is to be construed as a warranty or guarantee, express or implied, regarding any matter with respect to this product. Because Flowserve is continually improving and upgrading its product design, the specifications, dimensions and information contained herein are subject to change without notice. Should any question arise concerning these provisions, the purchaser/user should contact Flowserve Corporation at any one of its worldwide operations or offices.

© 2006 Flowserve Corporation